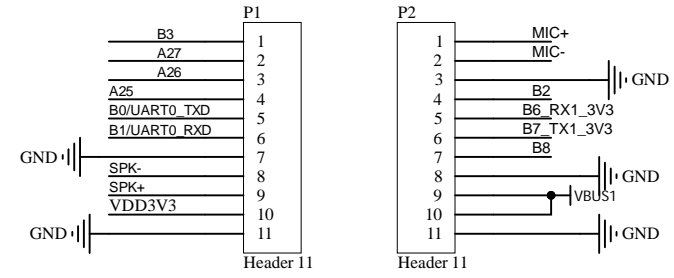
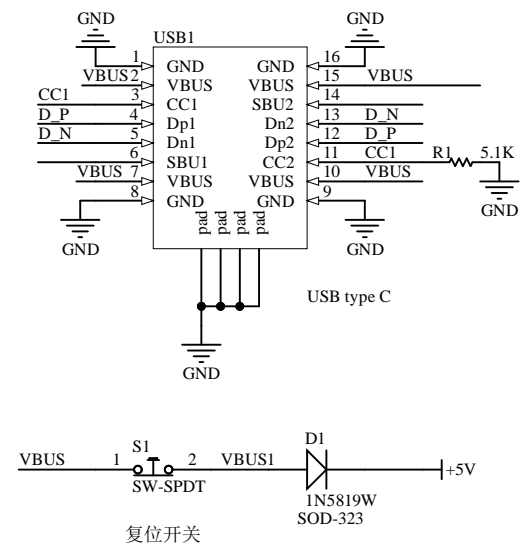


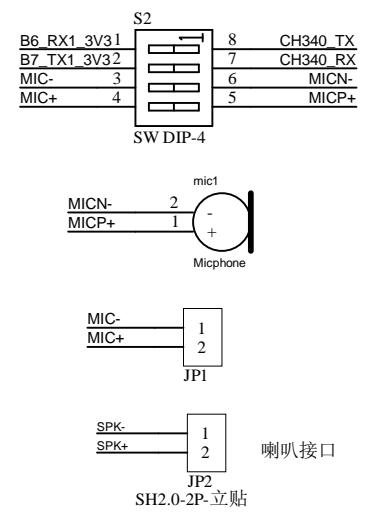
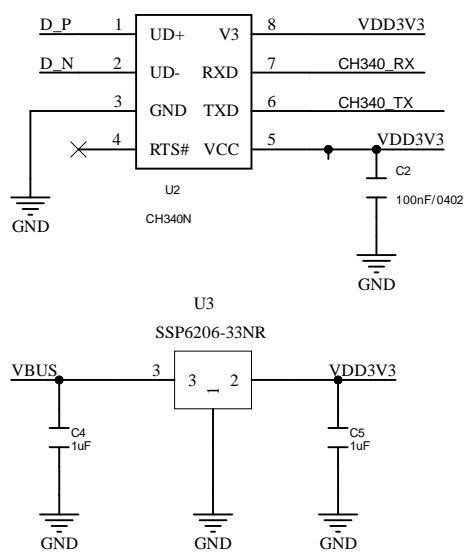
### PIN



### Power supply



### USB转串口



|       |   |          |            |  |  |
|-------|---|----------|------------|--|--|
| Title |   |          | SU_03T_EVB |  |  |
| Size  | Number  | Revision |            |  |  |
| A4    | 1   | V2.1     |            |  |  |
| Date: | 4/19/2022                                     | Sheet of | 1          |  |  |
| File: | E:\硬件\朗工\SU-03T_EVB V2.1-参考原理Doc langzhenning |          |            |  |  |