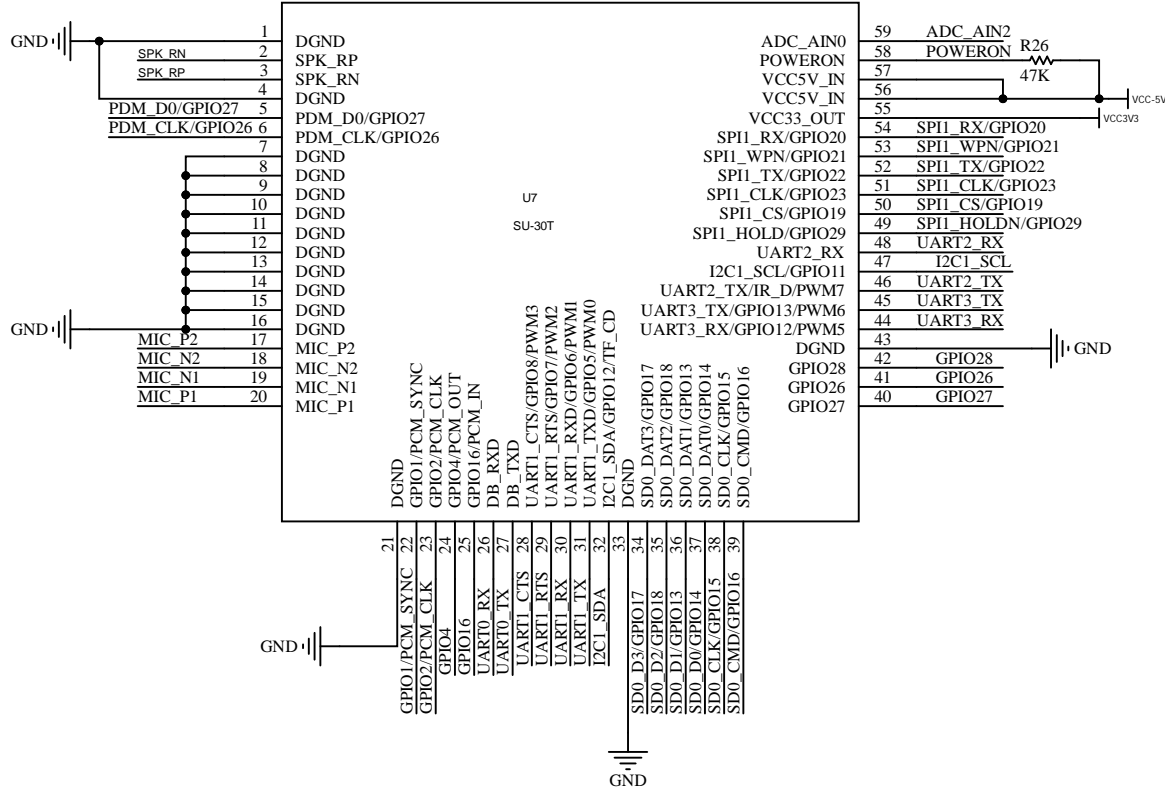
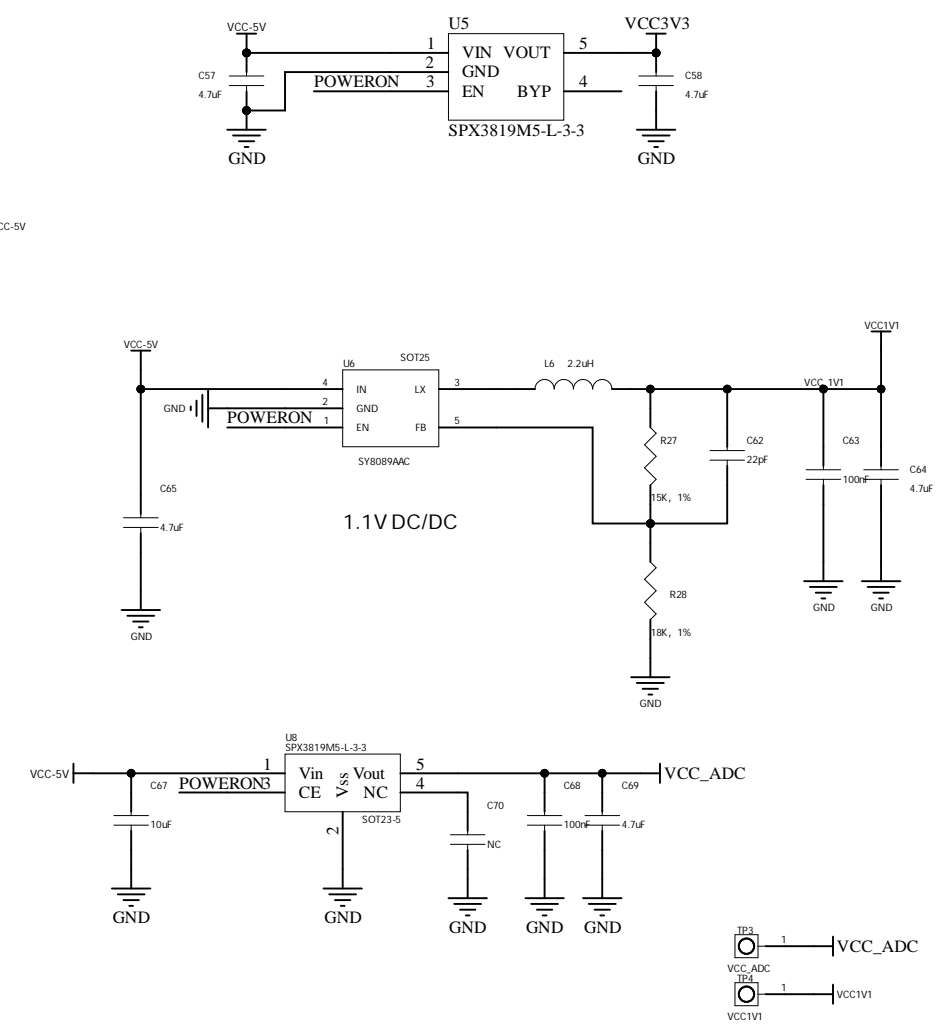


# Interface



# Power



Title		
Size	Number	Revision
A4		
Date:	7/08/2022	Sheet of
File:	E:\硬件\ASU-31T_01_Power SCH	Doc