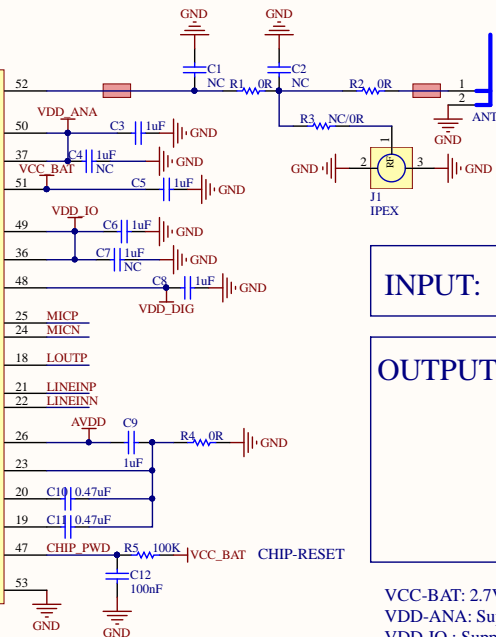


WIFI&MCU

U1			
PA0	5	PA0/SPI1_MOSI/SD_CMD/TWI1_SCL/CSI_D0/EINTA0	
PA1	6	PA1/SPI1_MISO/SD_DATA0/TWI1_SDA/CSI_D1/EINTA1	
PA2	7	PA2/SPI1_CLK/SD_CLK/UART0_TX/CSI_D2/EINTA2	
PA3	8	PA3/SPI1_CS0/SD_DATA1/UART0_RX/CSI_D3/EINTA3/PA18/TWI0_SDA/IR_RX/IR_RX/EINTA18	
PA4	35	PA4/WUPI00/UART1_RTS/SD_DATA2/TWI0_SCL/CSI_D4/EINTA4	
PA5	34	PA5/WUPI01/UART1_CTS/SD_DATA3/TWI0_SDA/CSI_D5/EINTA5	
PA6	33	PA6/WUPI02/UART1_RX/SPI1_CS1/TWI0_SCL/CSI_D6/EINTA6	
PA7	32	PA7/WUPI03/UART1_TX/SPI1_CS2/TWI0_SDA/CSI_D7/EINTA7	
PA8	41	PA8/FEM_CTRL1/PWM0/TWI1_SCL/CSI_PCLK/EINTA8	
PA9	40	PA9/FEM_CTRL2/PWM1/TWI1_SDA/CSI_MCLK/EINTA9	
PA10	39	PA10/ADC_CH0/PWM2/DMIC_CLK/CSI_HSYNC/EINTA10	
PA11	38	PA11/ADC_CH1/PWM3/DMIC_DATA/CSI_VSYNC/EINTA11	
LXTAL1	PA12	46	PA12/ADC_CH2/PWM4/I2S_MCLK/IR_TX/EINTA12
LXTAL2	PA13	45	PA13/ADC_CH3/PWM5/I2S_BCLK/UART1_TX/EINTA13
	PA14	44	PA14/ADC_CH4/PWM6/I2S_DO/UART1_RX/EINTA14
	PA15	43	PA15/ADC_CH5/PWM7/I2S_DO/UART1_CTS/EINTA15
	PA16	42	PA16/ADC_CH6/IR_RX/I2S_LRCLK/UART1_RTS/EINTA16
	PA19	31	PA19/WUPI05/UART2_RTS/TWI0_SCL/PWM0/SPI1_MOSI/EINTA19/PA17/TWI0_SCL/IR_RX/EINTA17
	PA20	30	PA20/WUPI06/UART2_CTS/TWI0_SDA/PWM1/SPI1_MISO/EINTA20
	PA21	29	PA21/WUPI07/UART2_RX/DMIC_CLK/PWM2/SPI1_CLK/EINTA21
	PA22	28	PA22/WUPI08/UART2_TX/DMIC_DATA/PWM3/SPI1_CS0/EINTA22
	PA23	27	PA23/WUPI09/TEST/EXT_DCDC_PUP/FEM_CTRL1/FEM_CTRL2/EINTA23
	UART0_TX	3	PB0/UART0_TX/JTAG_TMS/PWM4/SWD_TMS/EINTB0
	UART0_RX	4	PB1/UART0_RX/JTAG_TCK/PWM5/SWD_TCK/EINTB1
PB2	SPI0_WP	13	PB2/SWD_TMS/JTAG_TDO/PWM6/FLASH_WP/EINTB2
PB3	SPI0_HOLD	11	PB3/SWD_TCK/JTAG_TDI/PWM7/FLASH_HOLD/EINTB3
	SPI0_MOSI	9	PB4/SPI0_MOSI/SD_CMD/UART1_TX/FLASH_MOSI/EINTB4
	SPI0_MISO	12	PB5/SPI0_MISO/SD_DATA0/UART1_RX/FLASH_MISO/EINTB5
	SPI0_CS	14	PB6/SPI0_CS0/FEM_CTRL2/UART1_CTS/FLASH_CS/EINTB6
	SPI0_CLK	10	PB7/SPI0_CLK/SD_CLK/UART1_RTS/FLASH_CLK/EINTB7
	PB16	15	PB16/SD_CMD/EINTB16
	PB17	16	PB17/SD_DATA0/EINTB17
	PB18	17	PB18/SD_CLK/EINTB18
HXTAL1	2	HXTAL1	
HXTAL2	1	HXTAL2	
		XR872AT	

PA23不能默认为高电平



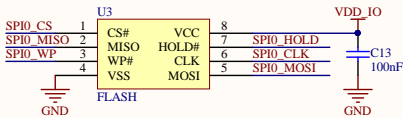
50ohm阻抗控制

INPUT: VCC_BAT 2.7~5.5V

OUTPUT: VDD_ANA 1.8V
VDD_IO 3.3V
AVDD 2.8V
VDD_DIG 1.1V

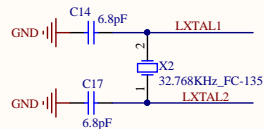
VCC-BAT: 2.7V-5.5V 600mA
VDD-ANA: Supply PSRAM, 1.8V
VDD-IO : Supply Peripheral, 3.3V,
3.3V supplied by VDD-EXT(I_{max}=200mA@3.3V),
1.8V supplied by VDD-ANA(I_{max}=300mA@1.8V).

FLASH

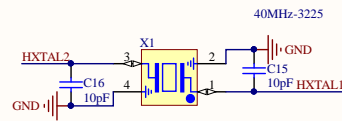


注意选用FLASH要与VDD-IO的电压相匹配

LOSC

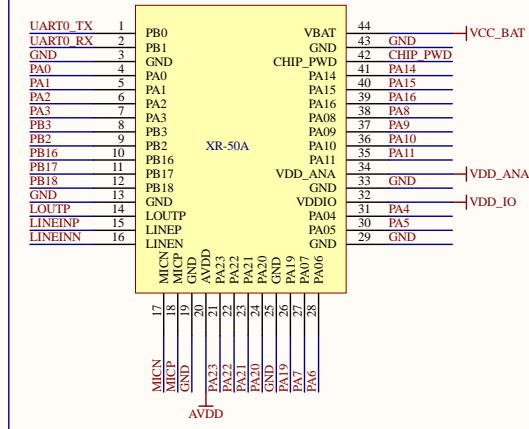


CLK



C15/C16可以 NC, 通过软件进行校准。
可配范围: 0-25.4pF

Interface



Title		
Size	Number	Revision
A3		
Date:	2021/2/4	Sheet of
File:	D:\hardware\XR-50A V1.0\SchDoc	Drawn By: